


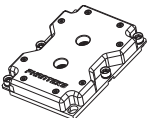


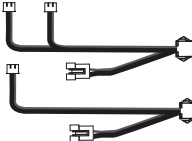


PACKAGE CONTENTS

For latest version check www.Phanteks.com

	GLACIER DOME X QTY: 1		Thermal Pads QTY: 4		Thermal Compound PH-NDC-01 QTY: 1
	GLACIER Socket 3647 QTY: 1	 M2.5x10 Screws QTY: 3  M3x10 Screws QTY: 3			CPU Block D-RGB Cable QTY: 1 VRM Block D-RGB Cable QTY: 1


⚠ WARNING – This product is intended for advanced users. Improper installation may result in damage to your equipment. While all efforts have been made to provide the most comprehensive information possible, Phanteks assumes no liability expressed or implied for any damage(s) occurring to your components as a result of using Phanteks cooling products, either due to mistake or omission on our part in the below instructions, or due to failure or defect in the Phanteks cooling products. Do not disassemble the water block. Warranty will be voided.

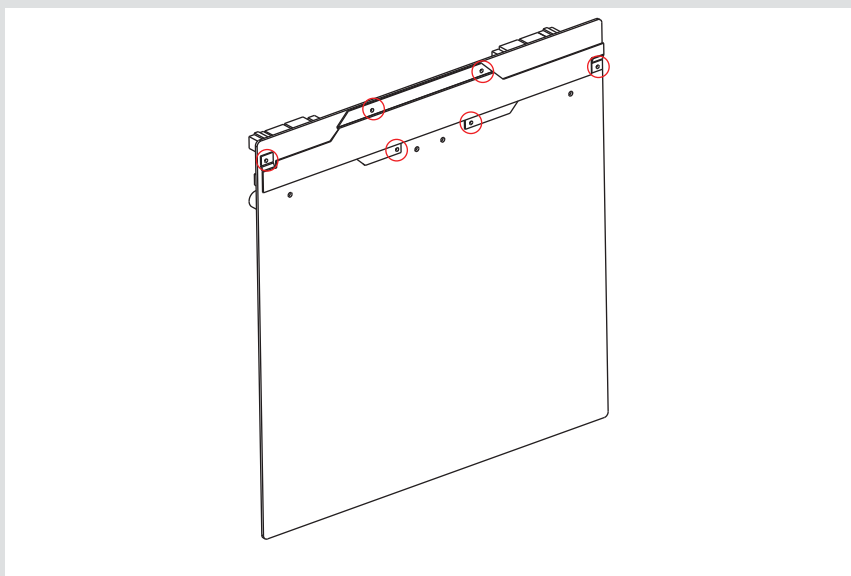
Turn off the power to your system and discharge your body's static electric charge before proceeding with the installation procedure. If you do not feel comfortable with performing the installation procedure, consult a qualified computer technician.

STEP 1. REMOVING STOCK VRM COOLER

Unscrew all highlighted screws to remove the stock VRM cooler and backplate.

⚠ Make sure to unplug the LED and Fan cables when you remove the stock cooler.

 Take the EVA-Foam from the box to use as a base for your installation process.



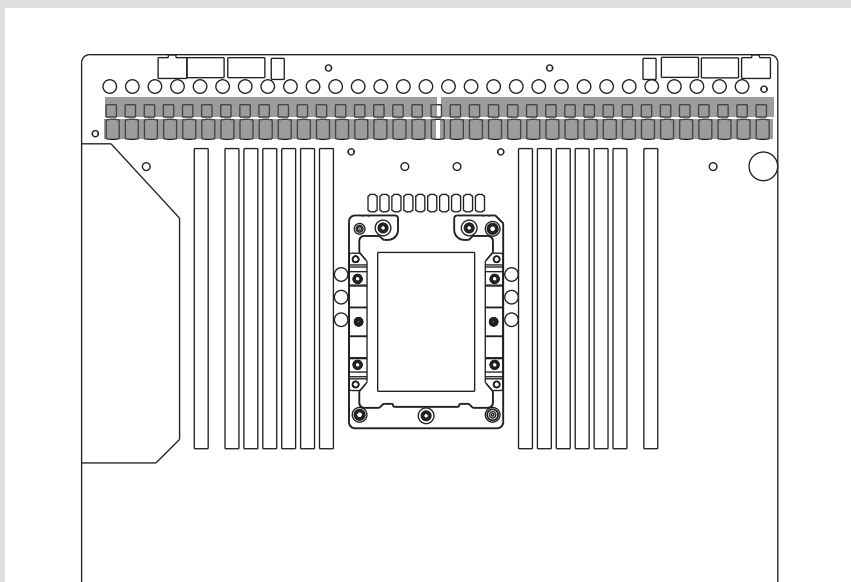
STEP 2. APPLYING THERMAL PADS

Clean off the original thermal compound. We recommend using isopropanol alcohol.

Remove the protective film and place the thermal pads on correct position on the PCB components.



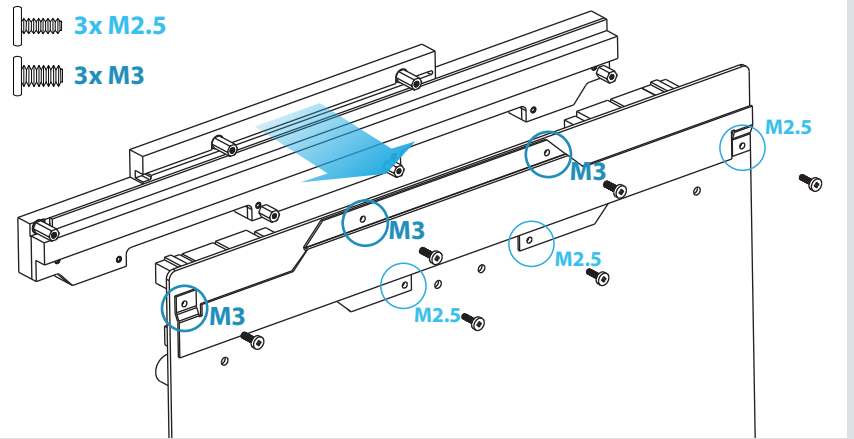
⚠ Make sure to remove the protective film on both sides of the thermal pads.



STEP 3. MOUNT THE VRM WATER BLOCK

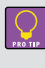
Carefully position the water block onto the motherboard. Align the mounting holes on the PCB with the holes on the water block.


Secure the water block with 3 M2.5x10mm and 3 M3x10mm screws to the PCB.

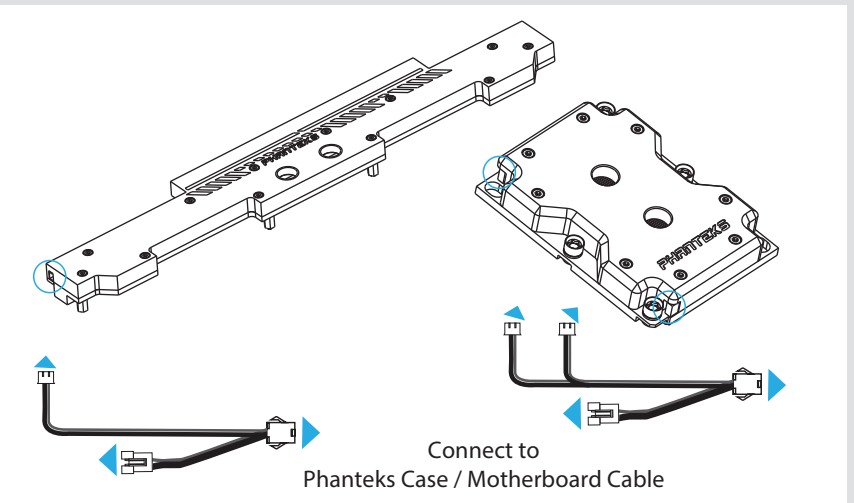


STEP 4. CONNECT D-RGB LIGHTING

Connect the D-RGB cable to the D-RGB strip in both water blocks.

 All Phanteks D-RGB products can be daisy-chained together.


 You can connect the D-RGB cable to the addressable header on the motherboard with the cable that is included with the motherboard.

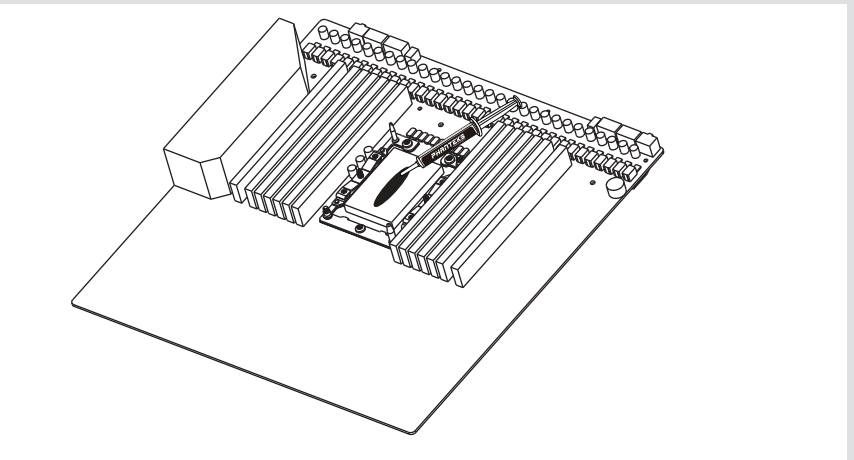


STEP 4. APPLYING THERMAL PASTE

Clean off the original thermal compound. We recommend using isopropanol alcohol.


Apply a line of thermal paste down the middle of the CPU heatspreader.

 Check the Intel website for additional installation instructions for the LGA 3647 Socket (Socket P).



STEP 5. MOUNT THE CPU BLOCK

Mount the CPU block on the socket and tighten the screws in the instructed order.

 Always perform a leak test before providing power to any system components.

