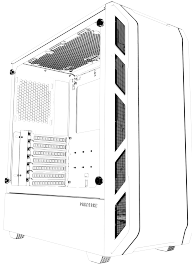
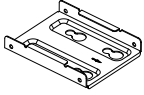




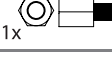







Thank you for choosing Phanteks. Please take a moment to carefully go through the manual. Phanteks will not take responsibility for any damages incurred due to incorrect installation or usage of this product.

PACKAGE CONTENTS

 ECLIPSE P350X	 2x	2.5" SSD bracket (pre-installed)	 22x	Motherboard + SSD screw	 4x	PSU screw
	 1x	120mm Case fan (pre-installed)	 2x	Thumb screw	 1x	Motherboard- standoff
			 12x	Fan screw	 1x	This manual
			 6x	Zip tie		

STEP 1. OVERVIEW

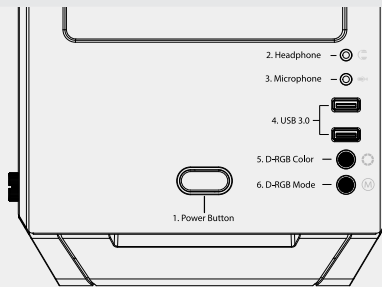
REAR

- 120 FAN 
- 120 RAD 

TOP FILTER

TOP

- 140 FAN 
- 120 FAN 







1. Power Button
2. Headphone
3. Microphone
4. USB 3.0
5. D-RGB Color
6. D-RGB Mode

PSU FILTER

CLEARANCE

CPU Cooler Height	160mm
PSU Clearance	250mm
GPU Clearance	400mm
E-ATX Motherboard	280mm

FRONT

- 140 FAN 
- 140 RAD 
- 120 FAN 
- 120 RAD 

Francais

1. Bouton d'alimentation
2. Casque
3. Microphone
4. USB 3.0
5. D-RGB Couleur
6. D-RGB Mode

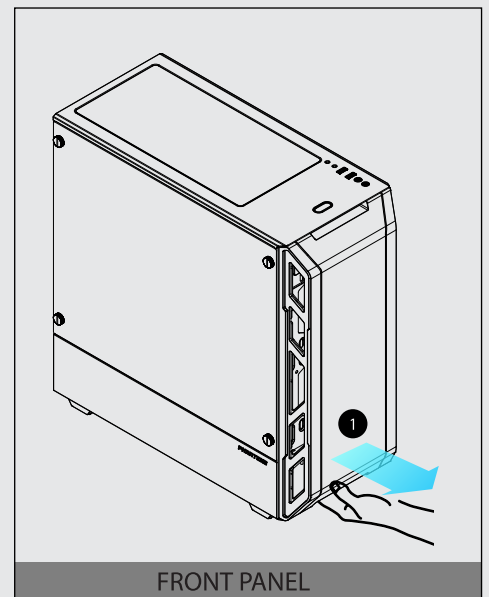
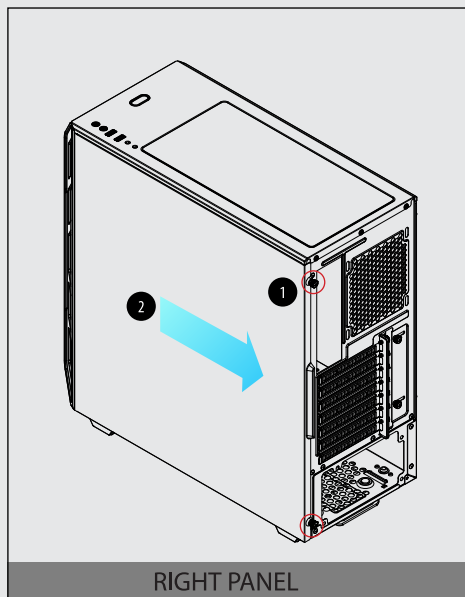
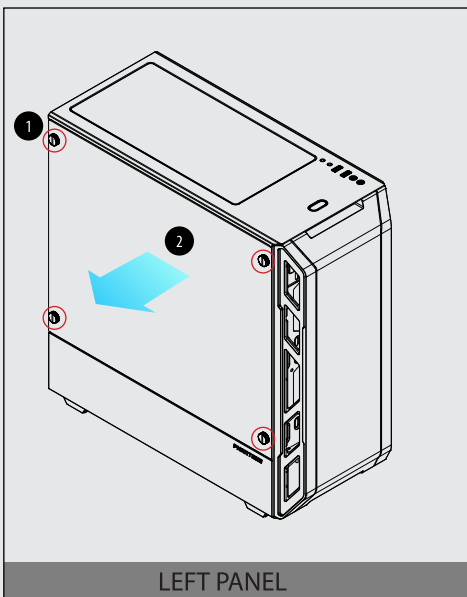
Deutsch

1. Ein-/Austaste
2. Kopfhörer
3. Mikrofon
4. USB 3.0
5. D-RGB Color
6. D-RGB Mode

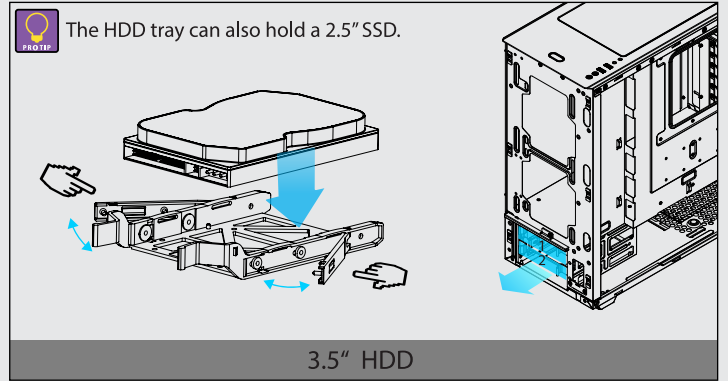
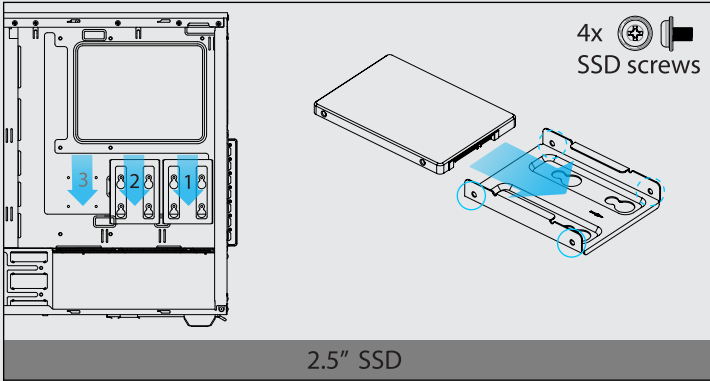
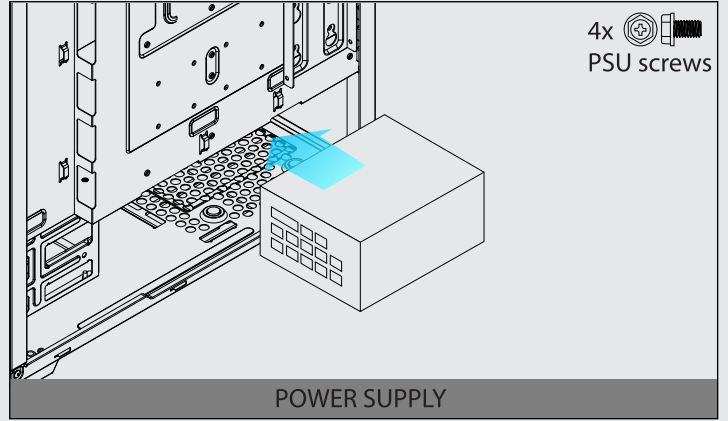
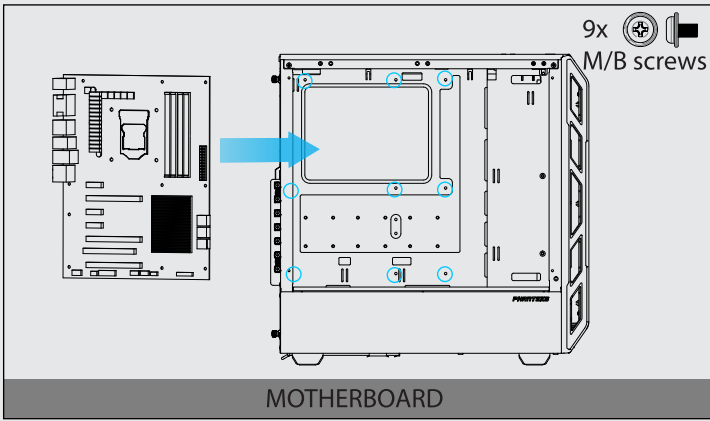
Espanol

1. Botón de alimentación
2. Cascos
3. Micrófono
4. USB 3.0
5. D-RGB Color
6. D-RGB Mode

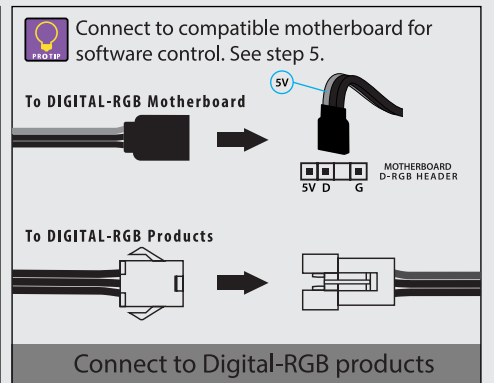
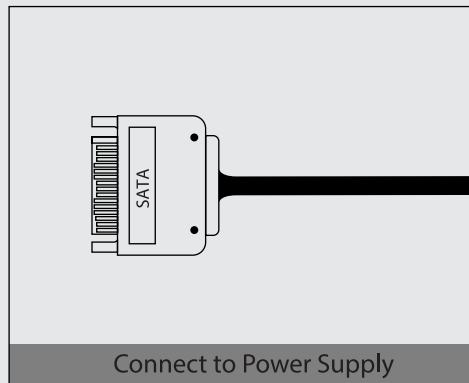
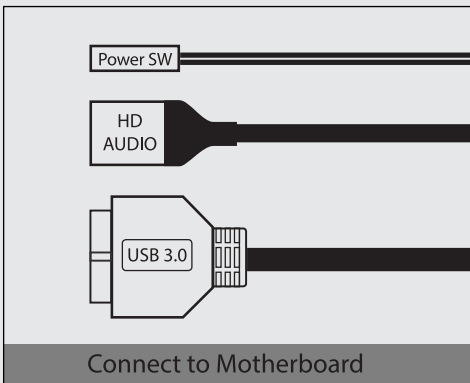
STEP 2. PANEL REMOVAL



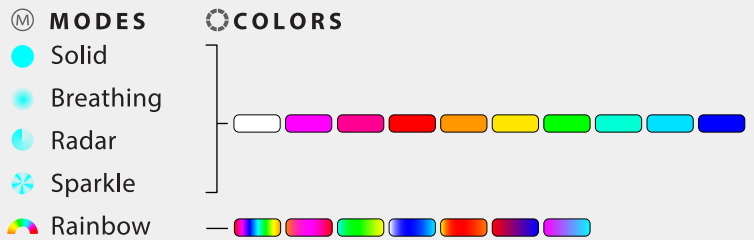
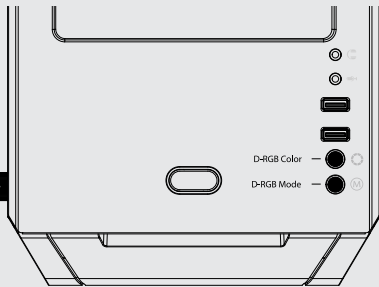
STEP 3. HARDWARE INSTALLATION



STEP 4. CABLE CONNECTION



STEP 5. DIGITAL-RGB CONTROL



COMPATIBLE WITH:



2 sec Press & Hold **MODE**: Turn off Front LED's.
 Press & Hold **MODE 2sec again**: Turn off all LED's.

PRO TIP **Software control**: Turning off all LED's will allow for software control with a compatible motherboard.