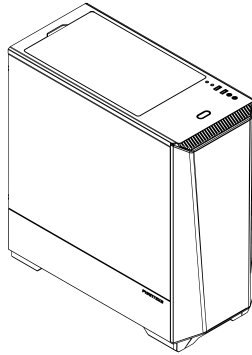


INTRODUCTION

Thank you for choosing Phanteks. Please take a moment to carefully go through the manual. Phanteks will not take responsibility for any damages incurred due to incorrect installation or usage of this product.



Installation guide for:
Eclipse P360 models
Eclipse P418 models

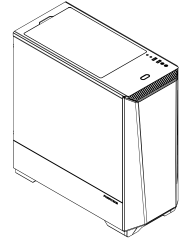
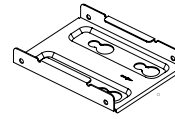
INCLUDED ACCESSORIES

For PH-EC360A_DBK model, other models may vary

2x 120 mm
D-RGB Case fan



2x 2.5" SSD Bracket
(Pre-Installed)



22x Motherboard
+ SSD Screw



2x Thumb Screw



12x Fan Screw



6x Zip Tie



1x Motherboard-
Standoff



4x PSU Screw

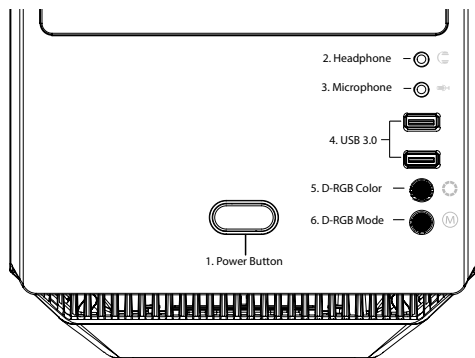


1x This Manual



PRODUCT OVERVIEW

FRONT I/O



English

1. Power Button
2. Headphone
3. Microphone
4. USB 3.0
5. D-RGB Color
6. D-RGB Mode

Francais

1. Bouton d'alimentation
2. Casque
3. Microphone
4. USB 3.0
5. D-RGB Couleur
6. D-RGB Mode

Deutch

1. Ein-/Austaste
2. Kopfhörer
3. Mikrofon
4. USB 3.0
5. D-RGB Farbe
6. D-RGB Modus

Espanol

1. Botón de encendido
2. Auricular
3. Micrófono
4. USB 3.0
5. D-RGB Color
6. D-RGB mode

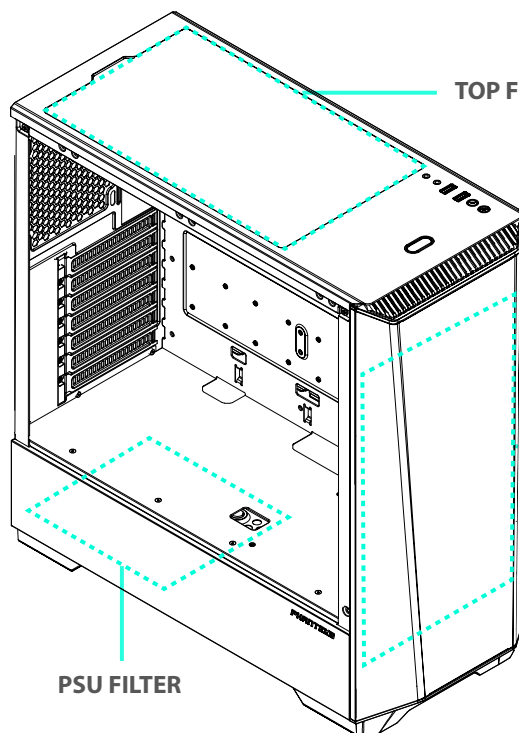
FANS & RADIATORS CLEARANCES

CLEARANCE

CPU Cooler Height	160mm
PSU Clearance	250mm
GPU Clearance	400mm
E-ATX Motherboard	280mm

REAR

120 FAN	
120 RAD	



TOP

	140 FAN
	120 FAN
	120 RAD
	240 RAD

*max motherboard component height is 38mm

FRONT

	140 FAN
	140 RAD
Max 142x315mm	
	120 FAN
	120 RAD
Max 122x315mm	

ECLIPSE SERIES

PANEL REMOVAL

There are three panels which can be removed from the P360A Chassis; the left side tempered glass panel, the right side panel and the front panel. Follow these steps below.

LEFT SIDE PANEL

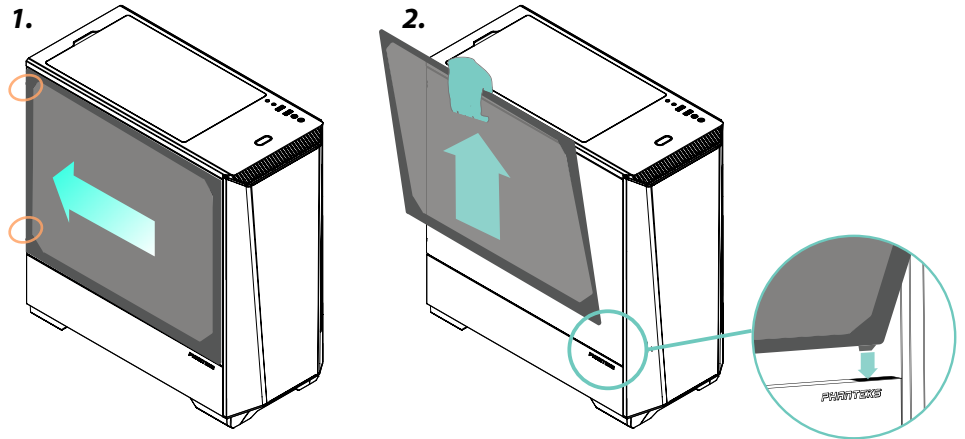
1. LOOSEN THUMB SCREWS AND SLIDE PANEL TO THE REAR

LOOSEN:

2 x



2. REMOVE TEMPERED GLASS PANEL



RIGHT SIDE PANEL

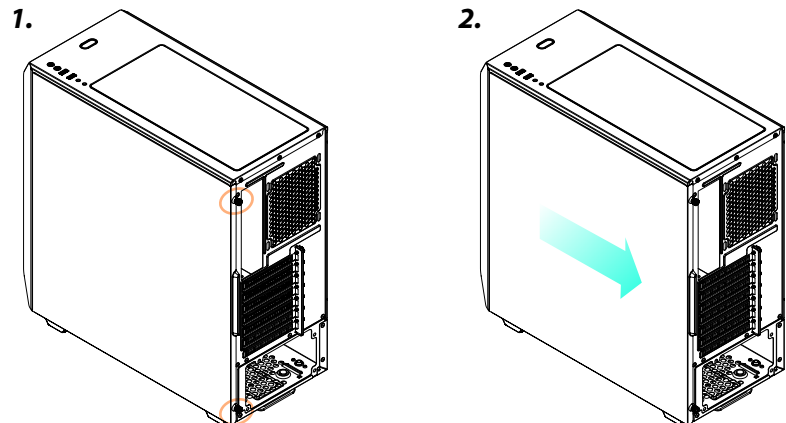
1. LOOSEN THUMB SCREWS

LOOSEN:

2 x

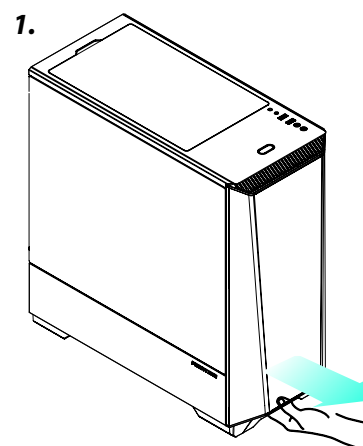


2. SLIDE SIDE PANEL OFF



FRONT PANEL

1. REMOVE FRONT PANEL BY PULLING ON THE PANEL FROM BELOW

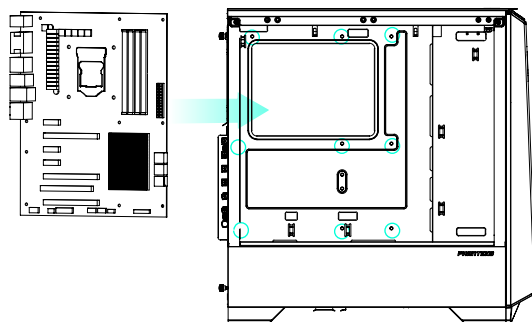


ECLIPSE SERIES

HARDWARE INSTALLATION

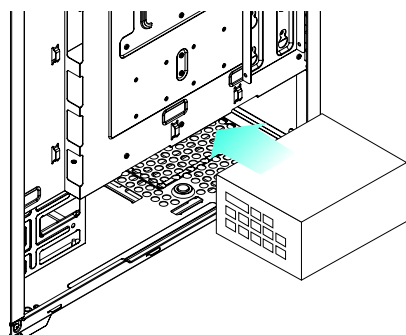
MOTHERBOARD

1. INSTALL THE MOTHERBOARD USING THE MOTHERBOARD SCREWS.



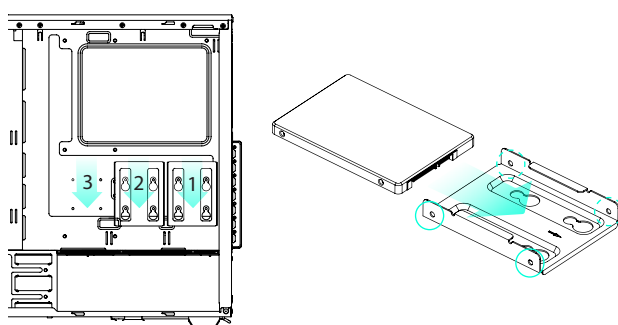
POWER SUPPLY

1. INSTALL THE POWER SUPPLY WITH 4X PSU SCREWS.



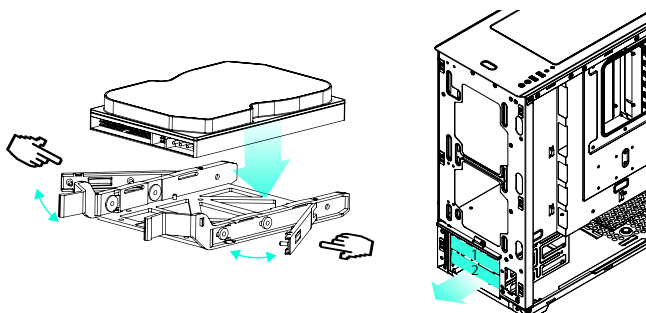
2.5" SSD

1. INSTALL THE SSD WITH 4X SSD SCREWS AND PLACE IT ON THE 4X RUBBER GROMMETS.



3.5" HDD

2. INSTALL THE HDD IN THE BRACKET AND PLACE IT IN THE CHASSIS.



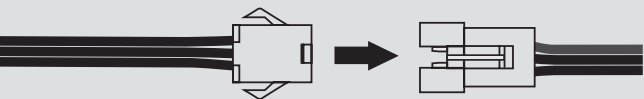
The HDD Tray can also hold a 2.5" SSD.

ECLIPSE SERIES

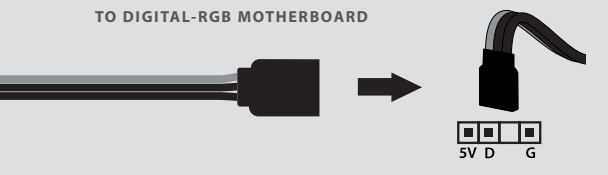
CABLE CONNECTION

CONNECT TO DIGITAL-RGB PRODUCTS

TO DIGITAL-RGB PRODUCTS

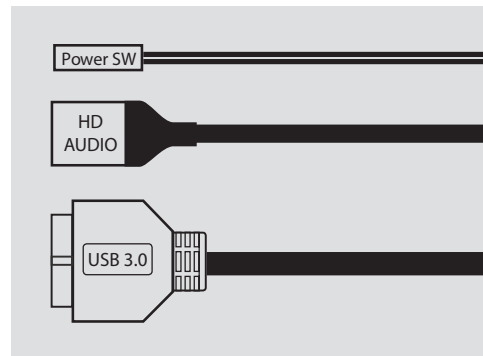


TO DIGITAL-RGB MOTHERBOARD

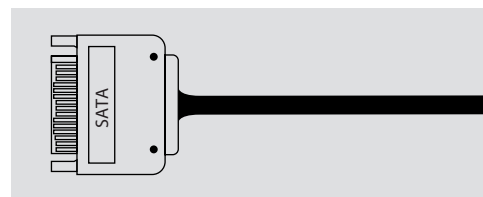


Connect to compatible motherboard for software control. See the below section: Digital-RGB Control.

CONNECT TO MOTHERBOARD



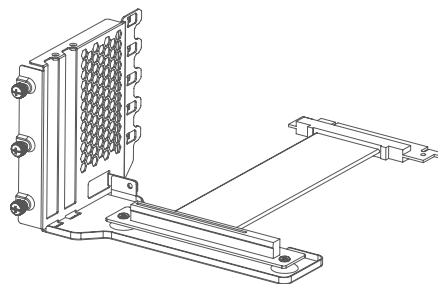
CONNECT TO POWER SUPPLY



OPTIONAL UPGRADES

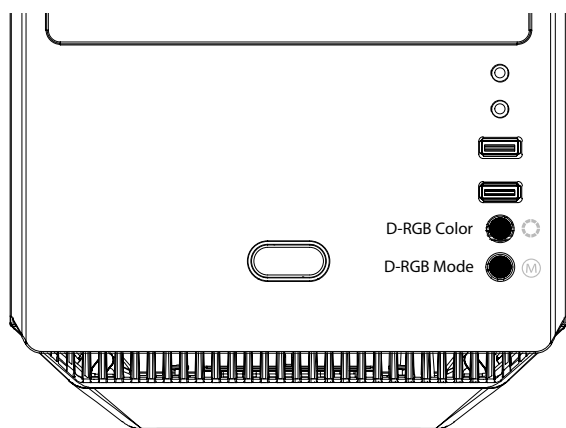
VERTICAL UPGRADE (PH-VGPUKT_02)

The P360 / P418 Chassis supports the Phanteks Vertical GPU bracket. It can be easily installed in the PCI slot area. Follow the instructions that are included with the Vertical GPU bracket.



DIGITAL-RGB CONTROL

With the Integrated Digital-RGB controller, you can choose from a variety of modes and color options.



MODES

- SOLID
- BREATHING
- RADAR
- SPARKLE
- RAINBOW

COLORS

2 SEC PRESS AND HOLD THE MODE BUTTON TO TURN OFF FRONT LEDS
PRESS AND HOLD THE MODE BUTTON AGAIN TO TURN OFF ALL LEDS

COMPATIBLE WITH:



ADDRESSABLE



ADDRESSABLE



RAINBOW



SOFTWARE CONTROL: Turning off all LED's will allow for software control with a compatible motherboard. The Mode & Color buttons do not function when using Software Control.



MAXIMUM POWER: The Digital-RGB controller can provide a maximum of 7A of power for expansion.