

CABLE CONNECTION

CONNECT TO D-RGB LIGHTING PRODUCTS (P400A_D MODEL)

To DIGITAL-RGB Products

To D-RGB Motherboard (optional)

Compatible with:

MOTHERBOARD D-RGB HEADER

CONNECT TO THE MOTHERBOARD

CONNECT TO RGB LIGHTING PRODUCTS (P400(S) MODELS)

To RGB Products

To RGB Motherboard (optional)*

Compatible with:

MOTHERBOARD RGB HEADER

*Motherboard Adapter is sold separately (PH-CB_RGB4P)

CONNECT TO THE POWER SUPPLY

CONNECT TO THE 3-PIN FANS

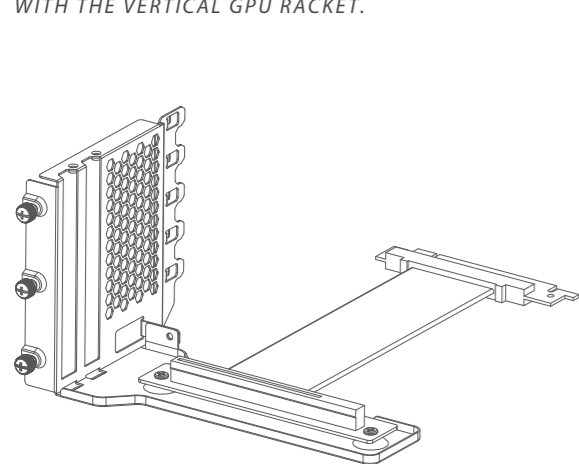
To 3-PIN FAN

*P400S and P400A models only

OPTIONAL UPGRADES

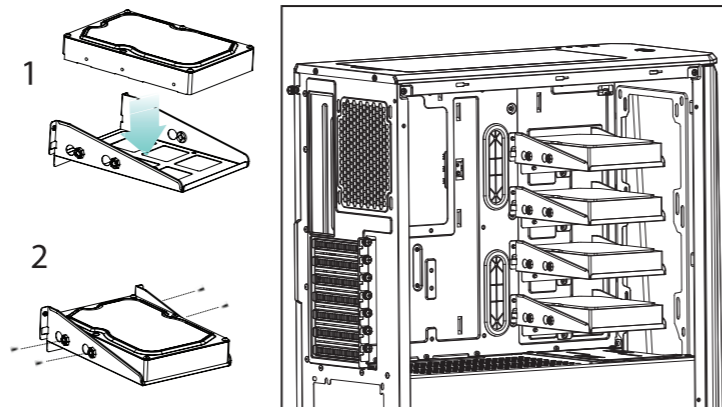
VERTICAL GPU BRACKET (PH-VGPUKT-02)

THE PHANTEKS VERTICAL GPU BRACKET CAN BE EASILY INSTALLED IN THE REAR PCI-SLOT AREA WITHOUT MODIFICATIONS. FOLLOW THE INSTRUCTION THAT COME WITH THE VERTICAL GPU BRACKET.



MODULAR HDD BRACKET (PH-HDDKT_02)

UP TO 4 ADDITIONAL HDD DRIVES CAN BE INSTALLED USING THE MODULAR HDD BRACKET.



INTRODUCTION

Thank you for choosing Phanteks. Please take a moment to carefully go through the manual. Phanteks will not take responsibility for any damages incurred due to incorrect installation or usage of this product.

This manual is applicable for the following products:

- PH-EC400ATG
- PH-EC400ATG_D
- PH-EC416PTG
- PH-EC416PSTG

INCLUDED ACCESSORIES

Eclipse P400A / Eclipse 400(S)

PRODUCT OVERVIEW

CLEARANCE

CPU Cooler Height	160mm
PSU Clearance	270mm
GPU Clearance	420mm
E-ATX Motherboard	272mm
360mm Front radiator	130x420x115mm
280mm Front radiator	145x325mm

REAR

120 FAN	120
120 RAD	120

TOP

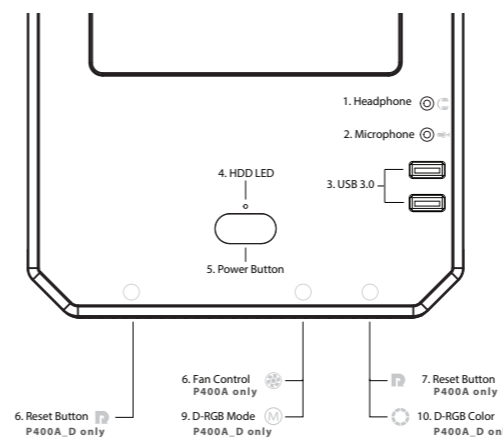
120 FAN	120
140 FAN	140

FRONT

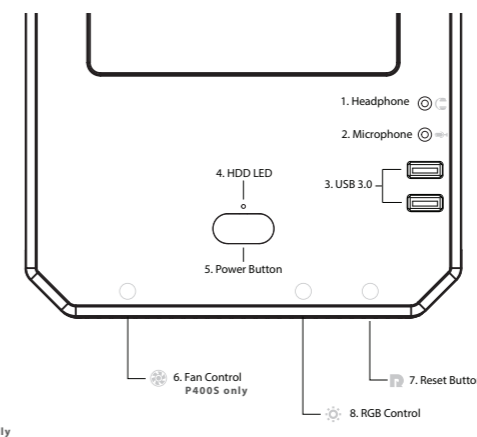
120 FAN	120
140 FAN	140
120 RAD	240
140 RAD	280
360	360

*remove the mid-plate cover

ECLIPSE P400A FRONT I/O



ECLIPSE P400(S) FRONT I/O



English	Français
1. Headphone	1. Casque
2. Microphone	2. Microphone
3. USB 3.0	3. USB 3.0
4. HDD LED	4. HDD LED
5. Power Button	5. Bouton d'alimentation
6. Fan Control	6. Contrôle du ventilateur
7. Reset Button	7. Bouton de réinitialisation
8. RGB Control	8. RGB Contrôle
9. D-RGB Mode	9. D-RGB Mode
10. D-RGB Color	10. D-RGB Couleur

Deutsch	Espanol
1. Kopfhörer	1. Auricular
2. Mikrophon	2. Micrófono
3. USB 3.0	3. USB 3.0
4. HDD LED	4. HDD LED
5. Ein-/Aus Schalter	5. Botón de encendido
6. Lüftersteuerung	6. Control del ventilador
7. Reset-Knopf	7. Botón de reinicio
8. RGB Steuerung	8. RGB Controlador
9. D-RGB Modus	9. D-RGB Mode
10. D-RGB Farbe	10. D-RGB Color

PRO TIP The 3-pin fan controller allows you to set any connected fans to low, medium or full speed.

LIGHTING CONTROLS

Digital-RGB CONTROLS (P400A_D MODEL)

MODES

- SOLID
- BREATHING
- RADAR
- SPARKLE
- RAINBOW

COLORS

2 SEC PRESS AND HOLD THE MODE BUTTON TO TURN OFF LEDS

RGB CONTROLS (P400(S) MODELS)

- Short Press to change color:

- Long Press to change mode:

- Solid
- Breathing
- Color Cycle

- Press and Hold to turn off or switch to motherboard control.

PRO TIP Press and Hold to turn off the case controller to sync with the motherboard RGB or D-RGB software.

INTRODUCTION

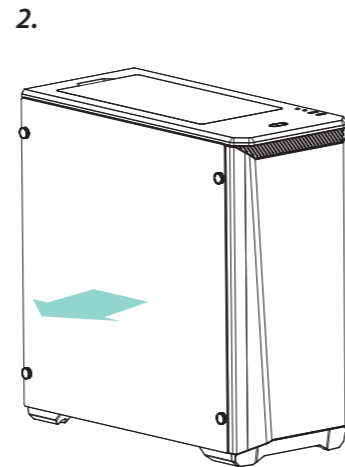
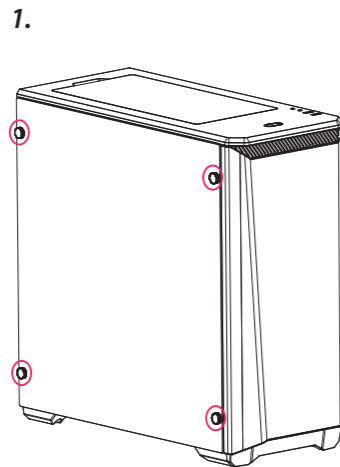
There are three panels that can be removed from the P400 Chassis; the left side tempered glass panel, the right side panel and the front panel. Follow these steps below.

LEFT SIDE PANEL

1. REMOVE 4 THUMB SCREWS



2. REMOVE TEMPERED GLASS PANEL

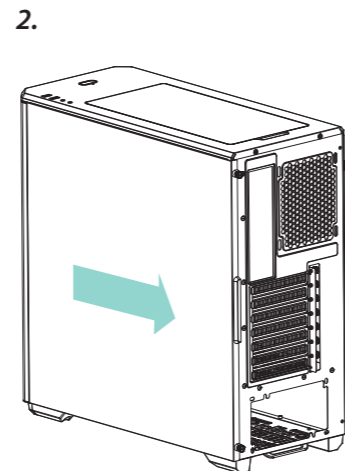
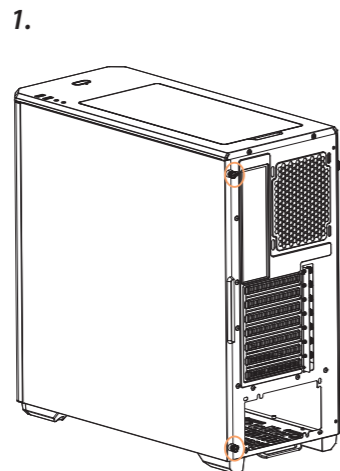


RIGHT SIDE PANEL

1. LOOSEN THUMB SCREWS

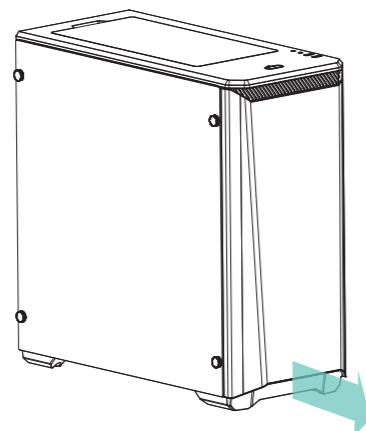


2. SLIDE SIDE PANEL OFF



FRONT PANEL

1. REMOVE FRONT PANEL BY PULLING ON THE PANEL FROM BELOW

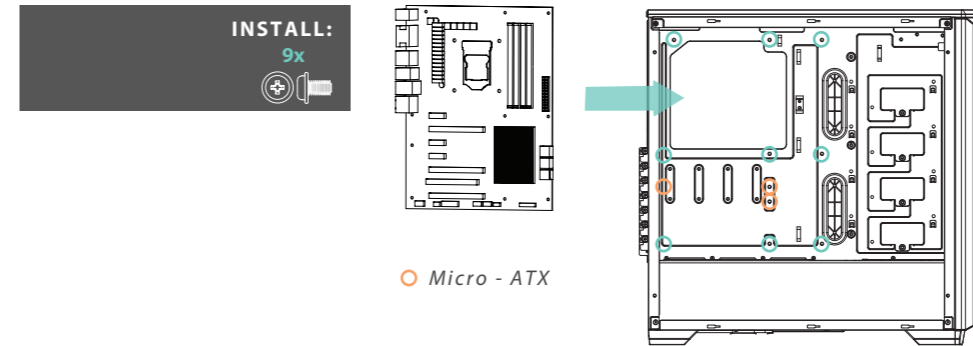


With the P400(S) models you can access the dust filters after removing the front panel. We recommend to clean the dust filters every month for optimal performance.

HARDWARE INSTALLATION

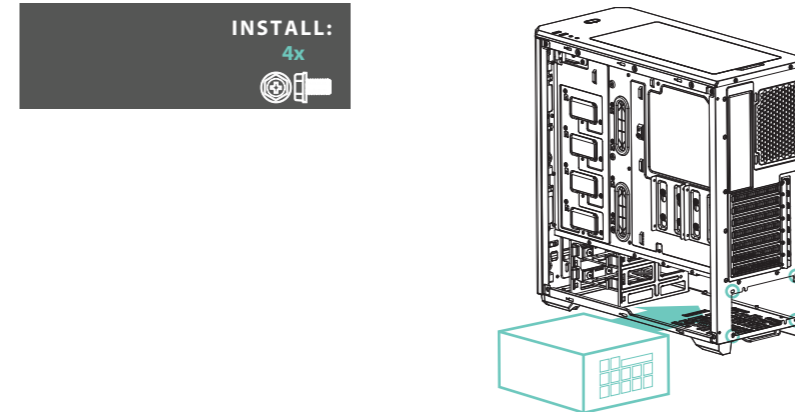
MOTHERBOARD

1. INSTALL THE MOTHERBOARD WITH 9 MOTHERBOARD SCREWS



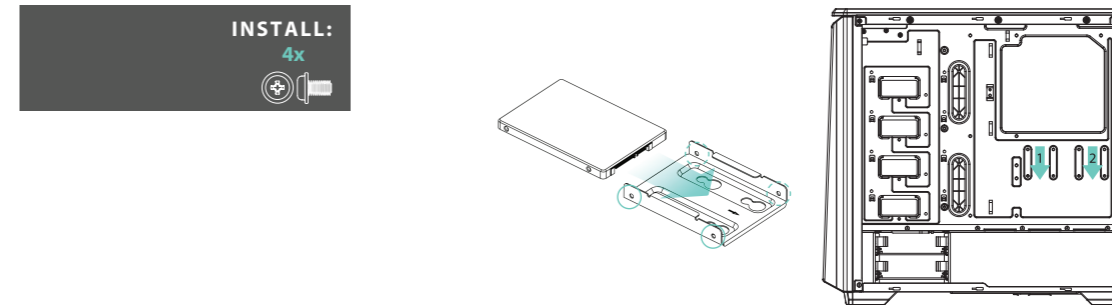
POWER SUPPLY

1. INSTALL THE POWER SUPPLY WITH 4 PSU SCREWS



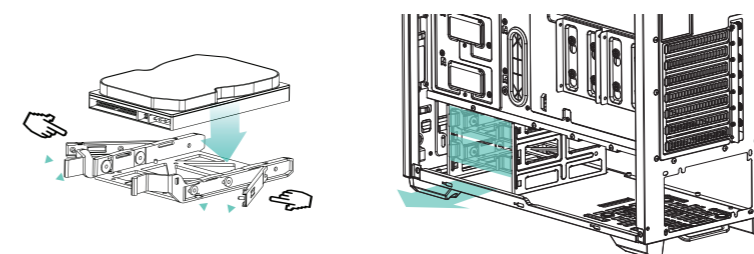
2.5" SSD

1. INSTALL THE SSD DRIVE WITH 4 SSD SCREWS



3.5" HDD

1. INSTALL THE HDD DRIVE IN THE TOOLLES HDD TRAY AND SLIDE IT BACK INTO THE CHASSIS



The HDD Tray can also hold a 2.5" SSD