

Installation Manual

Phanteks PH-TC14CS Thermal radiator for INTEL LGA 2011/1156/1155/1366/ 775, AMD FM1/AM3+/AM3/AM2+/AM2 (AMD Stock backplate is required)

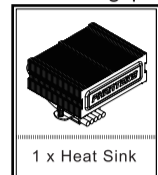
Thank you very much for choosing a Phanteks cooler. This manual will guide you through the installation process of the SoliSku mounting system step by step.

Important! Before proceeding with installation, please check for the most up-to-date instructions at www.phanteks.com. Multilingual versions of this manual are also available on our website.

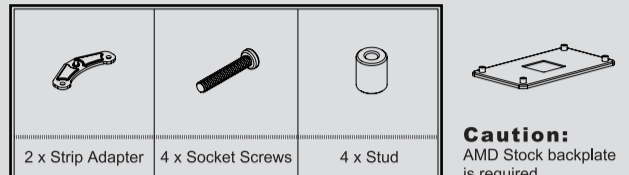
Supports & FAQ

For all enquiries concerning your Phanteks cooler, please contact the support team at support@phanteks.com. You can also consult the FAQ section on our website www.phanteks.com

Common required mounting parts:

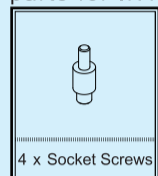


Required mounting parts for AMD FM1/AM3+/AM3/AM2+/AM2

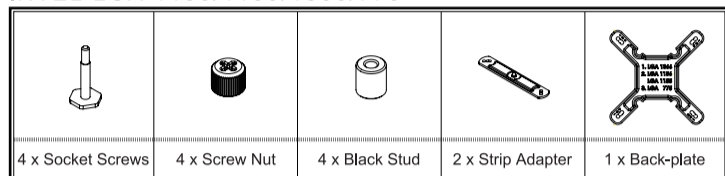


Caution: AMD Stock backplate is required

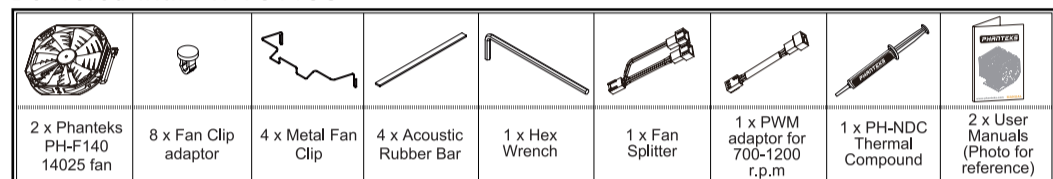
Required mounting parts for INTEL LGA 2011



Required mounting parts for INTEL LGA 1156/1155/1366/775

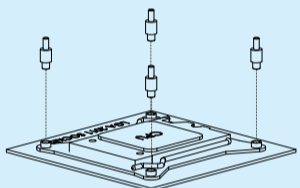


Delivered with PH-TC14CS

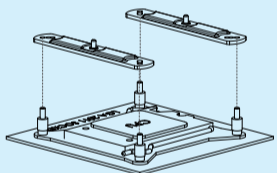


PH-TC14CS INTEL LGA 2011 Installation Guide

Step 1: Insert the 4 socket screws directly into mainboard.



Step 2: Set the strip adaptor on the socket screws.



Caution: please refer to bracket position guide for this step.

Step 3: for this step please refer to step 5.

PH-TC14CS AMD Installation Guide

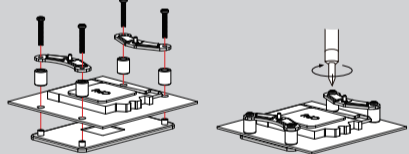
Step 1: Removing the retention module from motherboard

If your motherboard has a retention module for stock CPU Cooler, please remove it first. Phanteks SoliSku mounting bracket will install to your motherboard's stock backplate on the rare side of the socket.

Step 2: attaching the strip adaptor

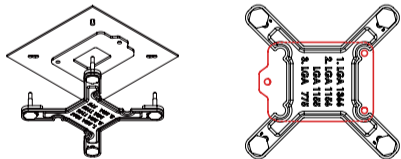
First put the studs onto the screw holes, then fix the strip adaptor by 4 AMD socket screws.

Caution: 1. Make sure the strip adaptor's direction is correct.
2. Tighten the screws until stop.
3. After finish AMD installation step 2, please skip and refer to **step 6**.



PH-TC14CS INTEL Installation Guide

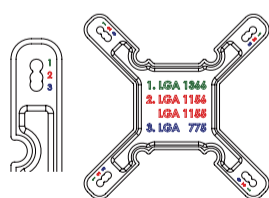
Step 1: Removing the motherboard



In order to use the Phanteks cooler in your system first you have to remove the motherboard from the case to install the backplate.

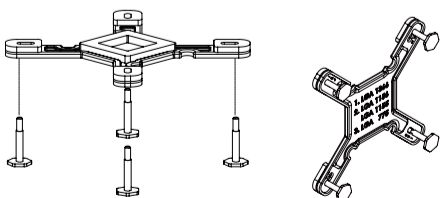
Caution: On LGA1366 and LGA1156/1155. Install the supplied backplate over the motherboard's stock backplate

Step 2: Setting up the backplate



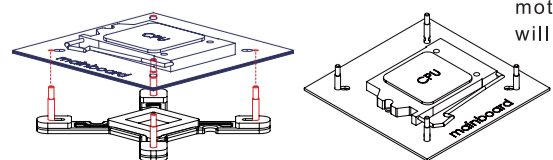
Apply each screw into the motherboard's INTEL CPU socket. (See Diagram below)

Caution: Please follow your socket position to put in the four socket screws as below.
Position 1: INTEL LGA 2011/1366
Position 2: INTEL LGA 1156/ LGA 1155
Position 3: INTEL LGA 775



Caution: Please verify that all four socket screws are inserted correctly.

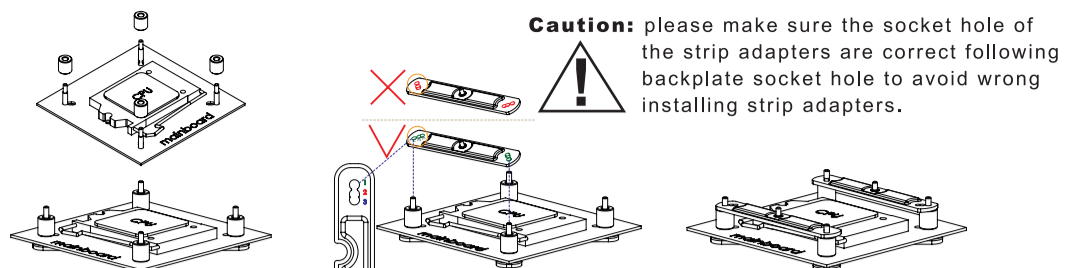
Step 3: Securing the black-plate



Place the backplate on the rear side of the motherboard properly, so that the socket screws will stick through the socket mounting holes.

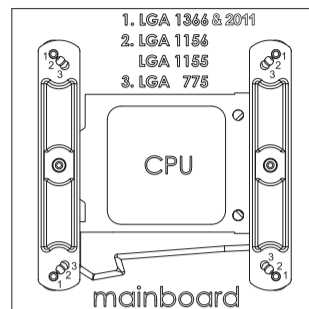
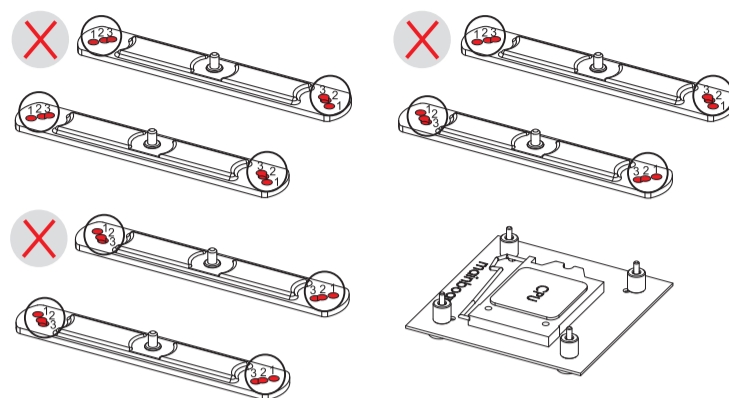
Step 4: Install the stud and strip adapters

Put the four studs onto the socket screws.



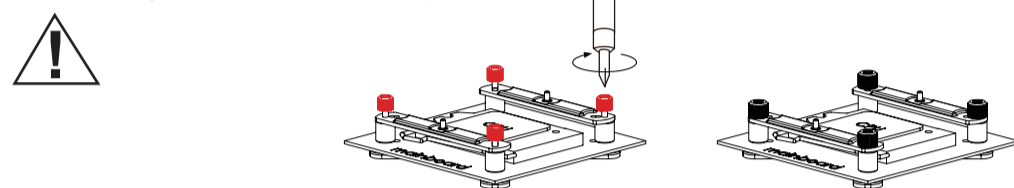
Caution: please make sure the socket hole of the strip adapters are correct following backplate socket hole to avoid wrong installing strip adapters.

WRONG !!



Step 5: Fixing the two mounting strip adapters

Caution: Tighten the screws until stop.



Step 6: Applying thermal paste

If there are residual traces of thermal paste or thermal pads on your CPU, please clean them off first. Then press a small drop (4-5mm diameter) of Phanteks PH-NDC on the center of the CPU surface.



Step 7: Put on rubber bar onto heatsink

Phanteks PH-TC14CS provides 4 pcs rubber bar for installing dual fans on the heatsink. please stick rubber bar onto zip point of the heatsink side area.

Caution: Please do not stick rubber bar onto other position, it may block the fan airflow into the heatsink to affect the convection efficiency.

Step 8: Place the heatsink on top of the CPU and secure the mounting plate

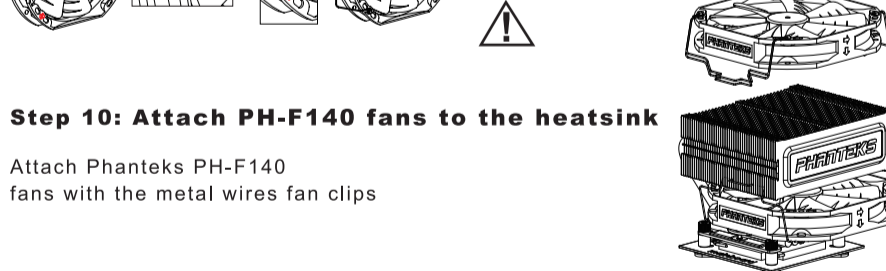
Please take off the protection cover at the bottom side of the heatsink first! Then put the heatsink on top of the CPU and screw it by hex wrench to the screw threads of the mounting plate.

Caution: Do not use force to overturn the screw, please stop when the screw is at a natural stop

Step 9: Put the fan clip adaptors into screw holes and install the fan clip into the adaptor

PH-TC14CS provide 8 pcs fan clip adaptor for install dual PH-F140 fans on PH-TC14CS, each fan requires four fan clip adaptors and put them into the fan screw hold.

Caution: please make sure the direction of the fan clip adaptor.



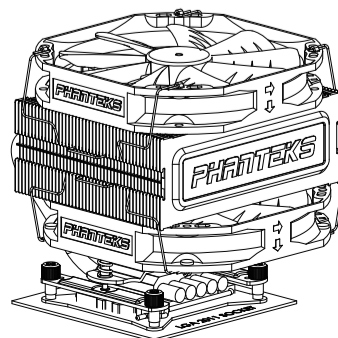
Step 10: Attach PH-F140 fans to the heatsink

Attach Phanteks PH-F140 fans with the metal wires fan clips

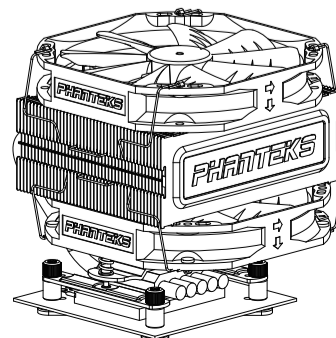
Step 11: Hook the fan cable with Fan splitter and PWM adaptor

Please connect the two fan's power cables to the FAN Splitter. Connect Fan Splitter to the motherboards CPU Fan header. You can also hook Phanteks PH-F140 PWM fan external adaptor on the fan splitter and then connect to the mainboard. External PWM adaptor will allow your PH-F140 fans at 700-1200 rpm for silence to power performance.

INTEL 2011 Final image



INTEL 1155/1156/1366/775



AMD Final image

