

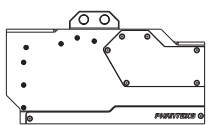





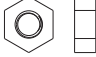

# GLACIER G3090Ti MSI WATERBLOCK

PH-GB3090TIMS\_BK01/CR01

INSTALLATION GUIDE V1.1

## PACKAGE CONTENTS

For latest version check [www.Phanteks.com](http://www.Phanteks.com)



	<b>GLACIER GB3090TIMS</b> QTY: 1		<b>Thermal Pads</b> QTY: 2		<b>Thermal Compound PH-NDC-01</b> QTY: 1
	<b>GLACIER Stop Fitting</b> QTY: 2		<b>M2.5x5 Screws/Washers</b> QTY: 4/4		<b>Phanteks D-RGB Cable</b> QTY: 1
			<b>Nuts</b> QTY: 2		<b>Phanteks D-RGB Motherboard Adapter</b> QTY: 1

**WARNING** – This product is intended for advanced users. Improper installation may result in damage to your equipment. While all efforts have been made to provide the most comprehensive information possible, Phanteks assumes no liability expressed or implied for any damage(s) occurring to your components as a result of using Phanteks cooling products, either due to mistake or omission on our part in the below instructions, or due to failure or defect in the Phanteks cooling products. Do not disassemble the water block. Warranty will be voided.

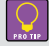
Turn off the power to your system and discharge your body's static electric charge before proceeding with the installation procedure. If you do not feel comfortable with performing the installation procedure, consult a qualified computer technician.

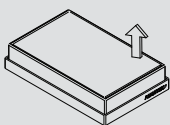
## STEP 1. REMOVING STOCK COOLER

Unscrew all highlighted screws to remove the stock cooler.

-  backplate screws
-  stock cooler screws

**!** Make sure to unplug the LED and Fan cables when you remove the stock cooler.

 Take the EVA-Foam from the box to use as a base for your installation process.



### MSI RTX 3090 Ti SUPRIM (X)



### MSI RTX 3090 Ti BLACK/GAMING(X) TRIO



## STEP 2. APPLYING THERMAL PASTE & PADS

Clean off the original thermal compound. We recommend using isopropanol alcohol.

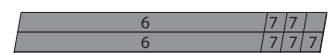
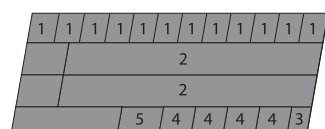
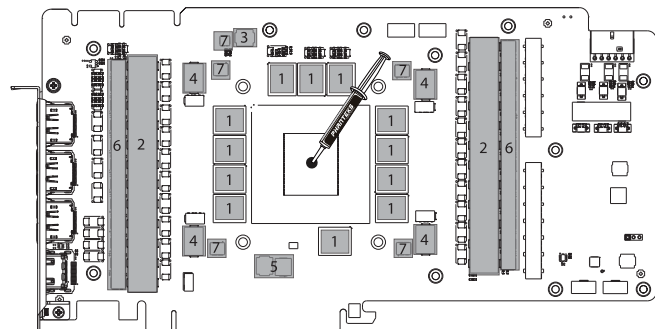
Apply a drop of the Phanteks Thermal Compound to the center of the GPU chip

Remove the protective film and place the the thermal pads on the correct position on the PCB.

**!** Make sure to remove the protective film on both sides of the thermal pads.

### MSI RTX 3090 Ti SUPRIM (X)

### MSI RTX 3090 Ti BLACK/GAMING(X) TRIO



### STEP 3. MOUNT THE WATER BLOCK

**For SUPRIM(X) model only;** use the original screws and the included hex nuts to secure the I/O bracket to the PCB (shown in red).

Carefully position the water block onto the graphics card. Align the mounting holes on the PCB with the holes on the water block.

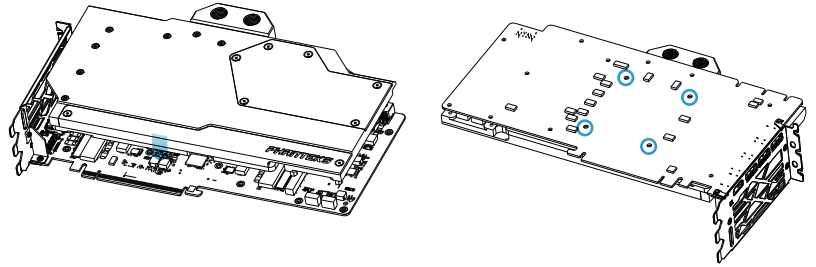
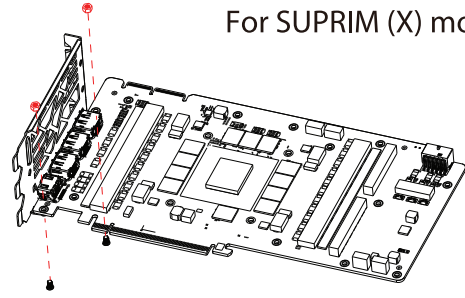
Secure the water block with 4 M2.5x5mm screws and washers to the PCB.



*Make sure to lay the GPU with the water block flat down without resting on the PCI bracket.*

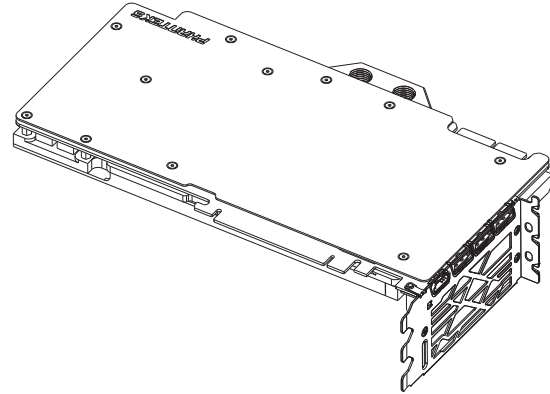


For SUPRIM (X) model only



### STEP 4. INSTALL THE GLACIER BACKPLATE

Please follow the Backplate manual for this step.



### STEP 5. CONNECT D-RGB LIGHTING

Connect the D-RGB cable to the D-RGB strip in the water block.



*All Phanteks D-RGB products can be daisy-chained together.*

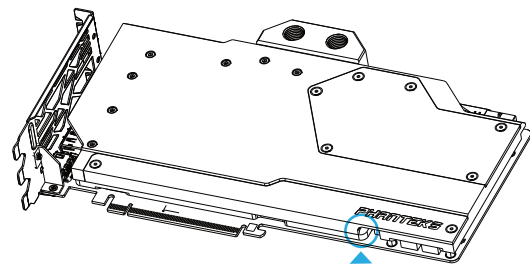


*You can connect the D-RGB cable to a compatible motherboard with the D-RGB Motherboard Adapter.*

D-RGB Motherboard Adapter



Connect to  
Phanteks Case / Motherboard Cable



### STEP 6. INSTALLING FITTINGS

Install G1/4 threaded male fittings and close the remaining ports with the two included Stop Fittings.



*Always perform a leak test before providing power to any system components.*

